

56 Spring Loaded Plunger

Lever actuated · Press-in / flare-in / thread-in styles · Small size

Features

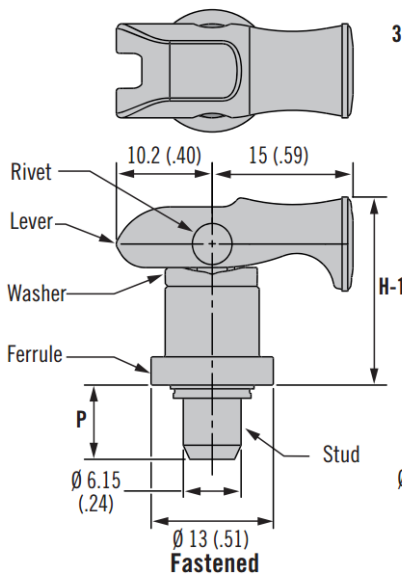
- Simplified positioning of sliding components
- Quick-release lever for fast installation and removal of components
- Designate access with colour

Material

- Stud: Steel, hardened, zinc plated, chromate plus sealer
- Ferrule (and sleeve): Steel, zinc plated, chromate plus sealer
- Spring and rivet: 300 series stainless steel, passivated
- Lever: Glass-filled nylon, UL94-V0 rated
- Washer: PC/ABS, UL94-V0 rated

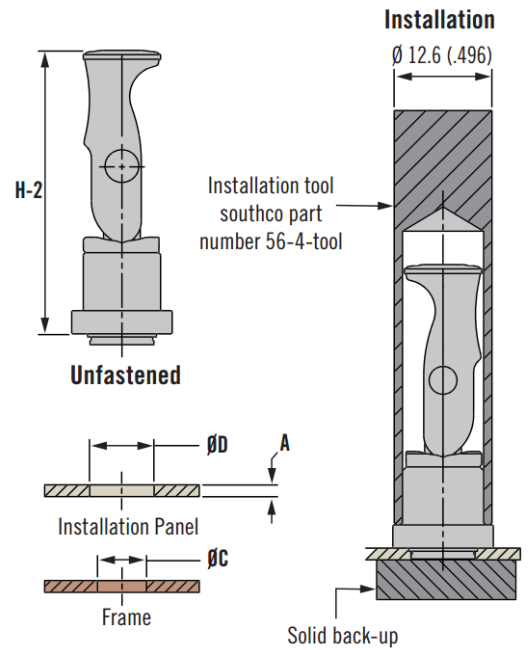


Press-in Style

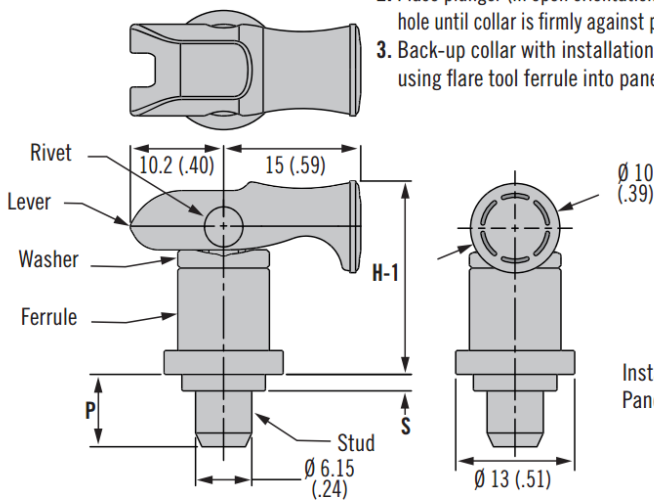


Installation:

1. Prepare hole in panel.
2. Place plunger (in unfastened orientation) into hole.
3. Provide solid back-up under ppanel using installation tool press ferrule until collar is firmly against panel

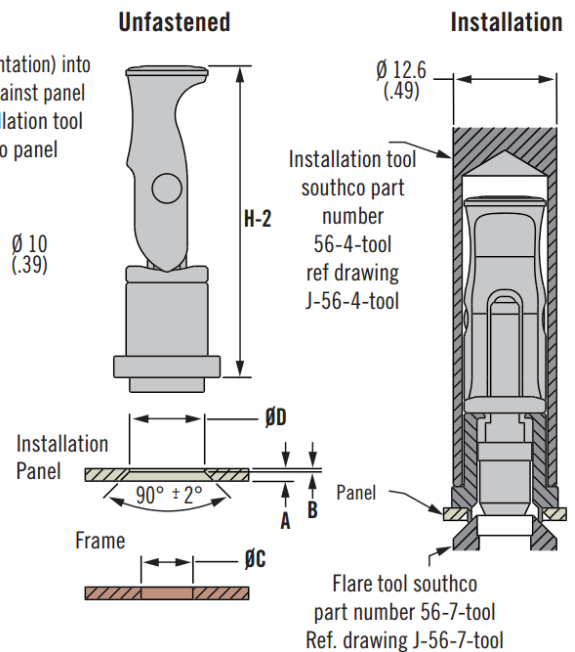


Flare-in Style

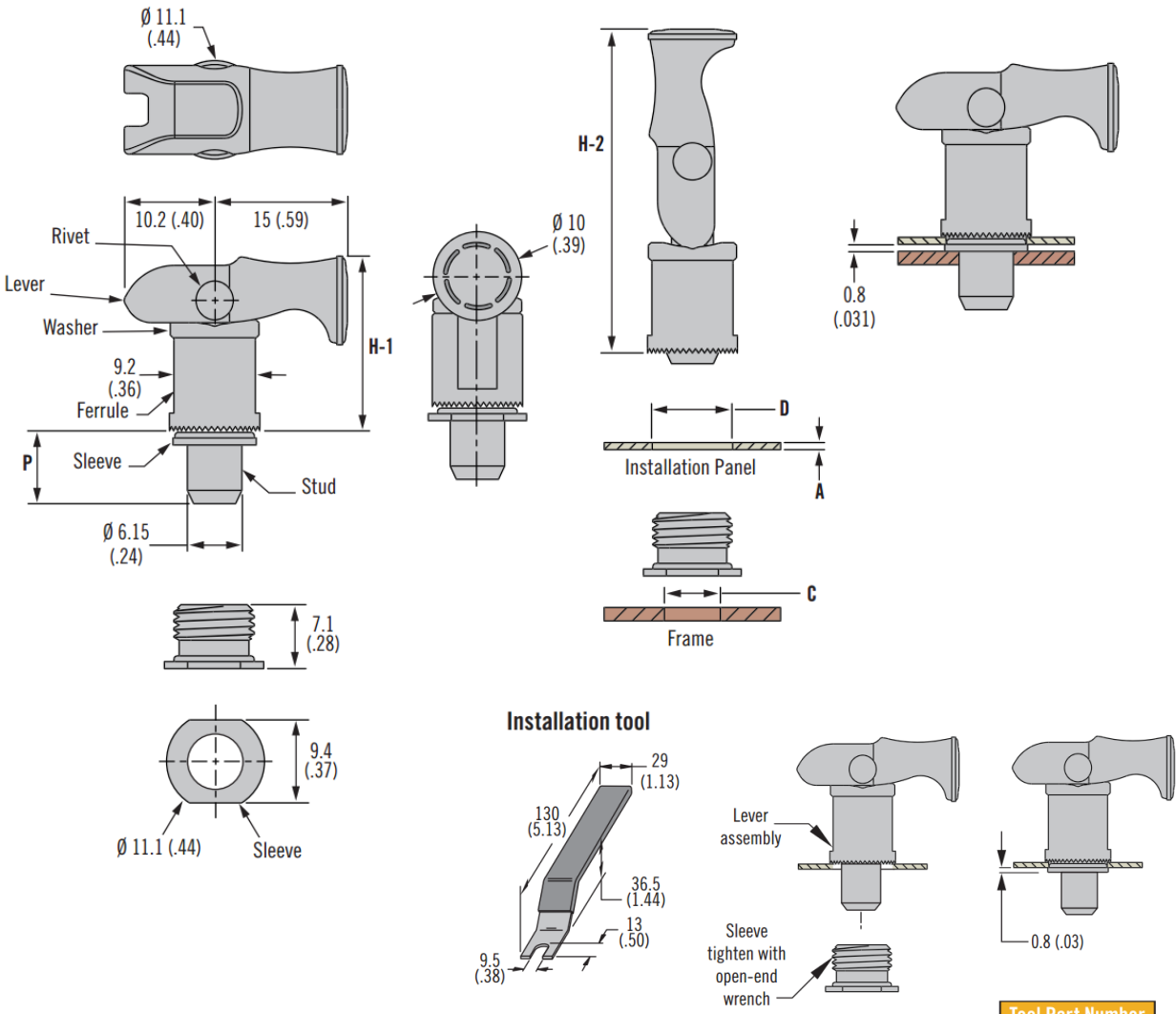


Installation:

1. Prepare hole in Panel.
2. Place plunger (in open orientation) into hole until collar is firmly against panel
3. Back-up collar with installation tool using flare tool ferrule into panel



Thread-in Style



Tool Part Number
56-0-22041-04

Outer Panel		P	B	S	Installation	Part Number	H-1	H-2	Ø D	Ø C
A Min.	A Max.									
1.52 (.06)	3.8 (.15)	8 (.31)	-	-	Press-in	56-461-000	20 (.79)	36.7 (1.44)	8.33 ^{+0.07} _{-0.0} (.328 ^{+0.003} _{-0.000})	6.35 ^{+0.07} _{-0.0} (.250 ^{+0.003} _{-0.000})
1.52 (.06)	3.18 (.125)	8 (.31)	0.4 (.02)	1.8 (.07)	Flare-in	56-471-1-000	21.1 (.83)	38.1 (1.5)	9.2 ^{+0.1} _{-0.0} (.362 ^{+0.004} _{-0.000})	
3.18 (.125)	4.7 (.185)	9.5 (.37)	1.9 (.08)	3.3 (.13)	Flare-in	56-471-2-000	19.6 (.77)	36.6 (.90)	9.12 ⁺⁰ _{-0.08} (.359 ⁺⁰ _{-0.003})	
0.8 (.031)	3.2 (.125)	8.2 (.32)	-	-	Thread-in	56-481-000	19.7 (.78)	36.7 (1.44)		

000 Black (shown in table)
 008 Blue
 013 Red
 014 Green
 Your color
 Contact Gripwell

Specifying Prism Color
 To indicate color, change the last three digits of the part number.
 Example: 56-461-000, black; 56-461-013, red



We are proud to be Southco's authorized distributor of over 20 years